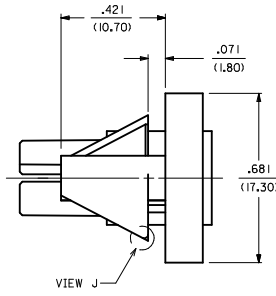
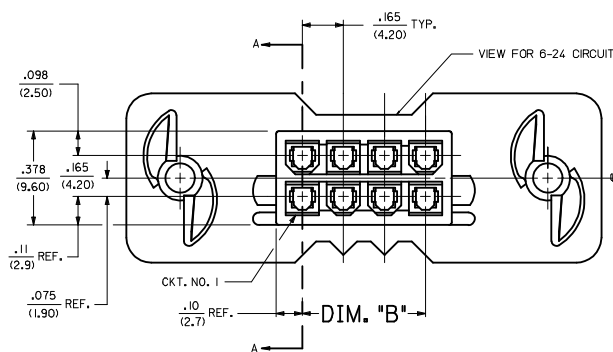
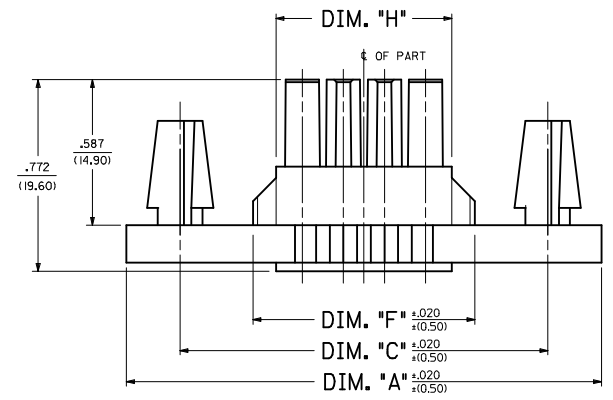


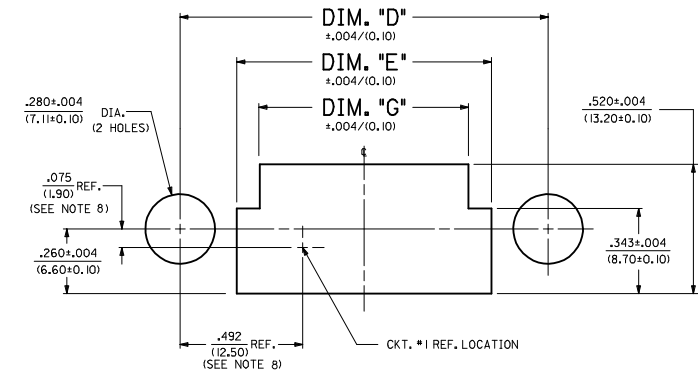
SECTION "A-A"  
TERMINAL ORIENTATION



THIS AREA CAN BE SHARP OR RADIUS



2-8 & 12-24 CIRCUIT HEADER  
(SEE SHEET 2 FOR 10 CIRCUIT HEADER DESIGN)

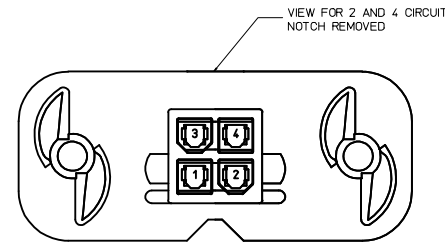


RECOMMENDED PANEL CUT-OUT FOR .050±.012/(L27±0.30) THICK PANEL  
(SEE NOTE 11)

LEGEND:  
42474 - \* \* \* 1  
BASE NUMBER  
CIRCUIT SIZE (02-24)  
MATERIAL (SEE NOTE 1.)

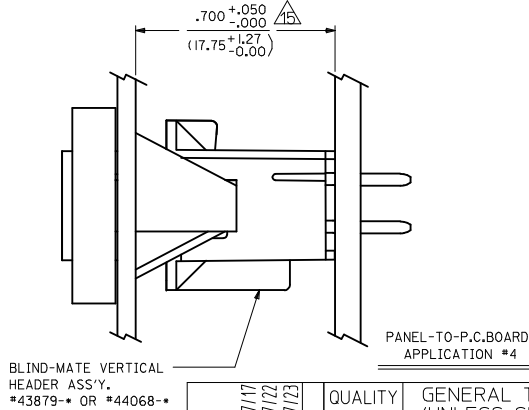
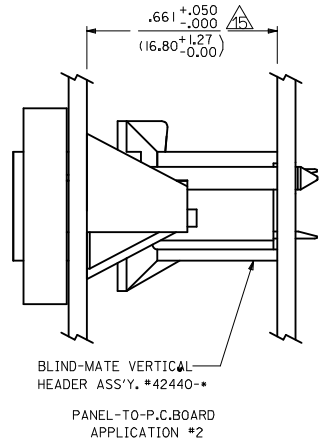
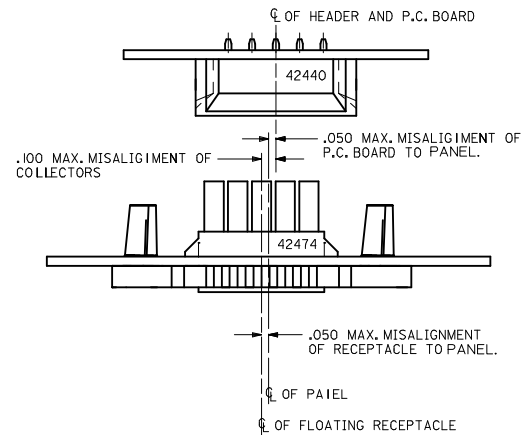
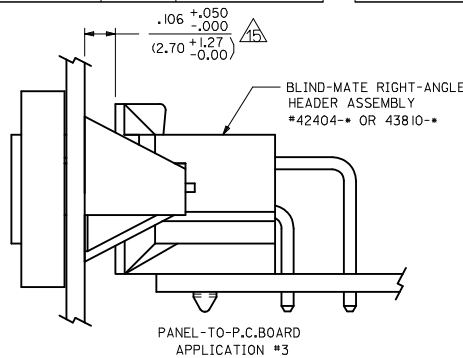
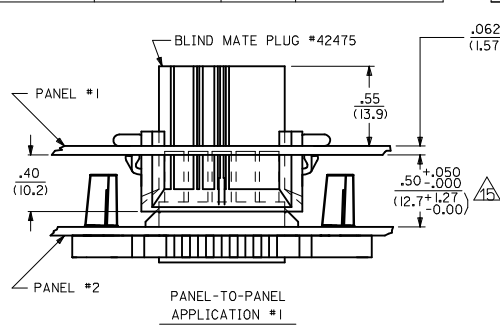
| CKT. SIZE | DIM. 'A'         | DIM. 'B'         | DIM. 'C'         | DIM. 'D'         | DIM. 'E'         | DIM. 'F'         | DIM. 'G'         | DIM. 'H'         |
|-----------|------------------|------------------|------------------|------------------|------------------|------------------|------------------|------------------|
| 2         | 1.417<br>(36.00) | N/A              | .984<br>(25.00)  | .984<br>(25.00)  | .528<br>(13.40)  | .398<br>(10.10)  | .343<br>(8.70)   | .213<br>(5.40)   |
| 4         | 1.583<br>(40.20) | .165<br>(4.20)   | 1.150<br>(29.20) | 1.150<br>(29.20) | .693<br>(17.60)  | .563<br>(14.30)  | .508<br>(12.90)  | .378<br>(9.60)   |
| 6         | 1.748<br>(44.40) | .331<br>(8.40)   | 1.315<br>(33.40) | 1.315<br>(33.40) | 1.128<br>(28.50) | .798<br>(20.30)  | .673<br>(17.10)  | .443<br>(11.30)  |
| 8         | 1.913<br>(48.60) | .496<br>(12.60)  | 1.480<br>(37.60) | 1.480<br>(37.60) | 1.204<br>(30.60) | .894<br>(22.70)  | .839<br>(21.30)  | .709<br>(18.00)  |
| 10        | 2.078<br>(52.80) | .661<br>(16.80)  | 1.645<br>(41.80) | 1.645<br>(41.80) | 1.389<br>(35.20) | 1.059<br>(26.90) | 1.004<br>(25.50) | .874<br>(22.20)  |
| 12        | 2.244<br>(57.00) | .827<br>(21.00)  | 1.811<br>(46.00) | 1.811<br>(46.00) | 1.554<br>(39.40) | 1.224<br>(31.10) | 1.169<br>(29.70) | 1.039<br>(26.40) |
| 14        | 2.409<br>(61.20) | .992<br>(25.20)  | 1.976<br>(50.20) | 1.976<br>(50.20) | 1.720<br>(43.60) | 1.390<br>(35.30) | 1.335<br>(33.90) | 1.205<br>(30.60) |
| 16        | 2.575<br>(65.40) | 1.157<br>(29.40) | 2.142<br>(54.40) | 2.142<br>(54.40) | 1.885<br>(47.80) | 1.555<br>(39.50) | 1.500<br>(38.10) | 1.370<br>(34.80) |
| 18        | 2.740<br>(69.60) | 1.323<br>(33.60) | 2.307<br>(58.60) | 2.307<br>(58.60) | 2.040<br>(51.80) | 1.720<br>(43.70) | 1.665<br>(42.30) | 1.535<br>(39.00) |
| 20        | 2.906<br>(73.80) | 1.488<br>(37.80) | 2.472<br>(62.80) | 2.472<br>(62.80) | 2.206<br>(56.00) | 1.886<br>(47.80) | 1.831<br>(46.50) | 1.701<br>(43.20) |
| 22        | 3.071<br>(78.00) | 1.653<br>(42.00) | 2.638<br>(67.00) | 2.638<br>(67.00) | 2.371<br>(60.20) | 2.051<br>(52.10) | 1.996<br>(50.70) | 1.866<br>(47.40) |
| 24        | 3.236<br>(82.20) | 1.819<br>(46.20) | 2.803<br>(71.20) | 2.803<br>(71.20) | 2.536<br>(64.40) | 2.217<br>(56.30) | 2.161<br>(54.90) | 2.031<br>(51.60) |

- NOTES:
- MATERIAL:  
\*1 = NYLON 6/6, 94V-2, COLOR: NATURAL.  
\*2 = NYLON 6/6, 94V-0, COLOR: NATURAL.  
\*3 = NYLON 6/6, 94V-2, COLOR: BLACK.  
\*4 = NYLON 6/6, 94V-0, COLOR: BLACK.
  - FINISH: NOT APPLICABLE.
  - PRODUCT SPECIFICATION: PS-5556-002
  - PACKAGING: PK-42474-001
  - PART MATES WITH MINI-FIT B.M.I. PLUG \*42475, AND HEADERS 42404, 42440, 43810, 44068 & 43879.
  - PART TO BE USED WITH MOLEX FEMALE TERMINAL #5556.
  - THIS CONNECTOR ALLOWS FOR .050/(1.27) MAX. MISALIGNMENT IN ANY DIRECTION.
  - THIS DIMENSION TO BE USED FOR ALIGNMENT OF THE MATING CONNECTOR.
  - CONNECTOR ASSEMBLIES ARE NOT TO BE MATED OR UNMATED WHILE CIRCUITS ARE LIVE.
  - THIS PART IS INTENDED FOR ONE PANEL INSERTION ONLY. REMOVAL AND RE-INSERTION CAN DAMAGE THE MOUNTING SPIRALS.
  - PANEL SHOULD BE PUNCHED IN THE DIRECTION OF CONNECTOR INSERTION.
  - BOTH SPIRALS SHOULD BE INSERTED INTO THE PANEL AT THE SAME TIME. ROCKING THE PART INTO PLACE MAY CAUSE SPIRAL DAMAGE.
  - THIS PART IS NOT INTENDED TO PROVIDE ANY ALIGNMENT OF CUSTOMER COMPONENTS OR MODULES, SUCH AS POWER SUPPLIES AND CHASSIS.
  - IF THIS PRODUCT IS STORED IN AN ENVIRONMENT WITH A RELATIVE HUMIDITY OF LESS THAN 50%, MOISTURE MUST BE ADDED.  
REFER TO TECHNICAL ADVISORY AS-45499-001 FOR INSTRUCTIONS.
  - A MAXIMUM TOLERANCE OF .050/(1.27) ALLOWS FOR 2 POINTS OF ELECTRICAL CONTACT.  
A MAXIMUM TOLERANCE OF .020/(.51) ALLOWS FOR 4 POINTS OF CONTACT.
  - WIRES ARE TO BE DRESSED IN SUCH A MANNER TO ALLOW THE TERMINALS TO FLOAT FREELY IN THE POCKET.
  - PART CONFORMS TO CLASS 'B' REQUIREMENTS OF COSMETIC SPECIFICATION PS-45499-002.



|   |                                      |  |                                    |  |                               |  |                               |  |  |
|---|--------------------------------------|--|------------------------------------|--|-------------------------------|--|-------------------------------|--|--|
| <b>CORRECTED REF NOTE</b><br>IEC NO. UCP2010-0135<br>DRAWN: J.BELL 2009/07/17<br>CHKD: J.BELL 2009/07/17<br>APPR: FSW/TH 2009/07/13 | <b>QUALITY SYMBOLS</b><br>▽=0<br>▽=0 | <b>GENERAL TOLERANCES (UNLESS SPECIFIED)</b><br>mm INCH                |                                    | <b>DIMENSION STYLE</b><br>IN/MM  | <b>SCALE</b><br>1:1           | <b>DESIGN UNITS</b><br>METRIC  | <b>THIRD ANGLE PROJECTION</b> |  |  |
|   |                                      | 4 PLACES ± --- ± ---<br>3 PLACES ± --- ± .015<br>2 PLACES ± 0.38 ± --- | DRAWN BY<br>GEP 1989/08/24         | CHECKED BY<br>R/JF 1989/08/24  | APPROVED BY<br>RAS 1989/08/24 | <b>PANEL-MOUNT RECEPTACLE<br/>BLIND MATE<br/>MINI-FIT JR. SERIES</b> |                               |  |  |
|   |                                      | 1 PLACE ± --- ± ---<br>ANGULAR ±1/2°                                   | MATERIAL NO.<br><b>SEE SHEET 2</b> | DOCUMENT NO.<br><b>SD-42474-****</b>   | <b>MOLEX INCORPORATED</b>     |  |                               |  |  |
|   |                                      | DRAFT WHERE APPLICABLE<br>MUST REMAIN<br>WITHIN DIMENSIONS             | SIZE<br><b>D</b>                   | <b>THIS DRAWING CONTAINS INFORMATION THAT IS PROPRIETARY TO MOLEX INCORPORATED AND SHOULD NOT BE USED WITHOUT WRITTEN PERMISSION</b> |                               |  |                               |  |  |

| 13          | 12          | 11        | 10                     | 9           | 8           | 7         | 6                      | 5           | 4         | 3                      | 2           | 1         |                        |
|-------------|-------------|-----------|------------------------|-------------|-------------|-----------|------------------------|-------------|-----------|------------------------|-------------|-----------|------------------------|
| PART NUMBER | ENG. NUMBER | CKT. SIZE | MATERIAL (SEE NOTE 1.) | PART NUMBER | ENG. NUMBER | CKT. SIZE | MATERIAL (SEE NOTE 1.) | ITEM NUMBER | CKT. SIZE | MATERIAL (SEE NOTE 1.) | ITEM NUMBER | CKT. SIZE | MATERIAL (SEE NOTE 1.) |
| NOT TOOLED  | 42474-0211  | 2         | 94V-2                  | NOT TOOLED  | 42474-0221  | 2         | 94V-0                  | NOT TOOLED  | 2         | 94V-2                  | NOT TOOLED  | 2         | 94V-0                  |
| 15-06-0040  | 42474-0411  | 4         | 94V-2                  | 15-06-0041  | 42474-0421  | 4         | 94V-0                  | 42474-0431  | 4         | 94V-2                  | 42474-0441  | 4         | 94V-0                  |
| 15-06-0060  | 42474-0611  | 6         | 94V-2                  | 15-06-0061  | 42474-0621  | 6         | 94V-0                  | 42474-0631  | 6         | 94V-2                  | 42474-0641  | 6         | 94V-0                  |
| 15-06-0080  | 42474-0811  | 8         | 94V-2                  | 15-06-0081  | 42474-0821  | 8         | 94V-0                  | 42474-0831  | 8         | 94V-2                  | NOT TOOLED  | 8         | 94V-0                  |
| 15-06-0100  | 42474-1011  | 10        | 94V-2                  | 15-06-0101  | 42474-1021  | 10        | 94V-0                  | 42474-1031  | 10        | 94V-2                  | 42474-1041  | 10        | 94V-0                  |
| NOT TOOLED  | 42474-1211  | 12        | 94V-2                  | NOT TOOLED  | 42474-1221  | 12        | 94V-0                  | NOT TOOLED  | 12        | 94V-2                  | NOT TOOLED  | 12        | 94V-0                  |
| 15-06-0140  | 42474-1411  | 14        | 94V-2                  | 15-06-0141  | 42474-1421  | 14        | 94V-0                  | 42474-1431  | 14        | 94V-2                  | 42474-1441  | 14        | 94V-0                  |
| NOT TOOLED  | 42474-1611  | 16        | 94V-2                  | NOT TOOLED  | 42474-1621  | 16        | 94V-0                  | NOT TOOLED  | 16        | 94V-2                  | NOT TOOLED  | 16        | 94V-0                  |
| 15-06-0180  | 42474-1811  | 18        | 94V-2                  | 15-06-0181  | 42474-1821  | 18        | 94V-0                  | 42474-1831  | 18        | 94V-2                  | 42474-1841  | 18        | 94V-0                  |
| NOT TOOLED  | 42474-2011  | 20        | 94V-2                  | NOT TOOLED  | 42474-2021  | 20        | 94V-0                  | NOT TOOLED  | 20        | 94V-2                  | NOT TOOLED  | 20        | 94V-0                  |
| NOT TOOLED  | 42474-2211  | 22        | 94V-2                  | NOT TOOLED  | 42474-2221  | 22        | 94V-0                  | NOT TOOLED  | 22        | 94V-2                  | NOT TOOLED  | 22        | 94V-0                  |
| 15-06-0240  | 42474-2411  | 24        | 94V-2                  | 15-06-0241  | 42474-2421  | 24        | 94V-0                  | 42474-2431  | 24        | 94V-2                  | 42474-2441  | 24        | 94V-0                  |



|   |                                      |   |                                   |                                  |                                  |   |                                      |                            |
|---|--------------------------------------|---|-----------------------------------|----------------------------------|----------------------------------|---|--------------------------------------|----------------------------|
| <b>CORRECTED TEXT</b><br>EC NO: UCP2010-0135<br>DRWN: JBELL 2009/07/17<br>CHKD: JBELL 2009/07/22<br>APPR: FSMITH 2009/07/23 | <b>QUALITY SYMBOLS</b><br>▽=0<br>▽=0 | <b>GENERAL TOLERANCES (UNLESS SPECIFIED)</b>  |                                   | <b>DIMENSION STYLE</b><br>IN/MM  | <b>SCALE</b><br>1:1              | <b>DESIGN UNITS</b><br>METRIC   | THIRD ANGLE PROJECTION               |                            |
|   |                                      | 4 PLACES ± --- ± ---<br>3 PLACES ± --- ± ---<br>2 PLACES ± --- ± ---<br>1 PLACE ± --- ± --- | mm INCH                           | DRAWN BY DATE<br>LEM 1999/03/24  | CHECKED BY DATE<br>MB 1999/03/24 | <b>TITLE</b><br>PANEL-MOUNT RECEPTACLE<br>BLIND MATE<br>MINI-FIT JR. SERIES |                                      |                            |
|   |                                      | ANGULAR ± 5 °   | APPROVED BY DATE<br>RE 1999/03/24 | <b>MATERIAL NO.</b><br>SEE CHART |                                  |   | <b>DOCUMENT NO.</b><br>SD-42474-**** | <b>SHEET NO.</b><br>2 OF 2 |
|   |                                      | DRAFT WHERE APPLICABLE MUST REMAIN WITHIN DIMENSIONS  |                                   |                                  |                                  |   |                                      |                            |